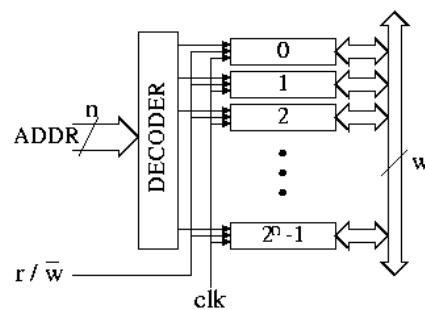


03 Logic networks

03.06 Address decoding

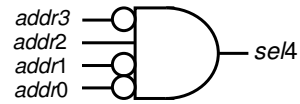
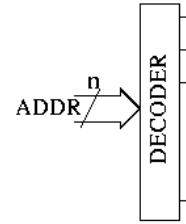
- Decoder
- Comparator
- EXNOR

Decoder (1)



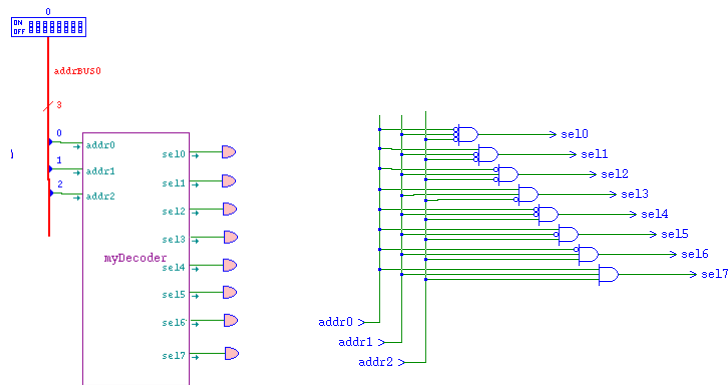
Decoder (2)

Address	sel0	sel1	sel2	sel3	sel4	sel5	sel6	...	sel15
0 0 0 0	1	0	0	0	0	0	0		0
0 0 0 1	0	1	0	0	0	0	0		0
0 0 1 0	0	0	1	0	0	0	0		0
0 0 1 1	0	0	0	1	0	0	0		0
0 1 0 0	0	0	0	0	1	0	0		0
0 1 0 1	0	0	0	0	0	1	0		0
0 1 1 0	0	0	0	0	0	0	1		0
0 1 1 1	0	0	0	0	0	0	0		0
1 0 0 0	0	0	0	0	0	0	0		0
1 0 0 1	0	0	0	0	0	0	0		0
1 0 1 0	0	0	0	0	0	0	0		0
1 0 1 1	0	0	0	0	0	0	0		0
1 1 0 0	0	0	0	0	0	0	0		0
1 1 0 1	0	0	0	0	0	0	0		0
1 1 1 0	0	0	0	0	0	0	0		0
1 1 1 1	0	0	0	0	0	0	0		1

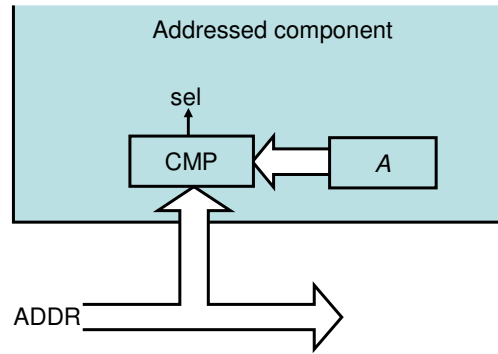


$$sel4 = addr0' \cdot addr1' \cdot addr2 \cdot addr3'$$

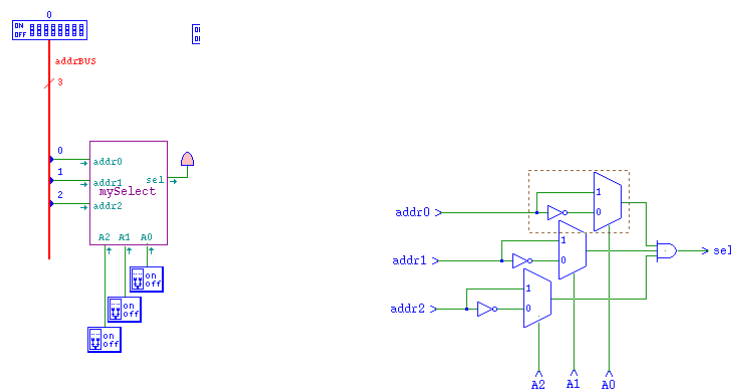
MyDecoder



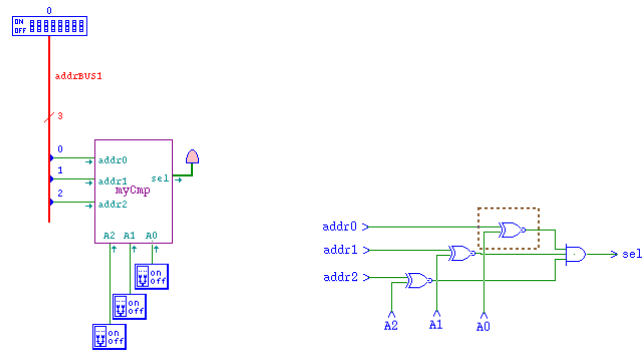
Comparator (1)



MySelect



MyCmp



MyEXNOR

